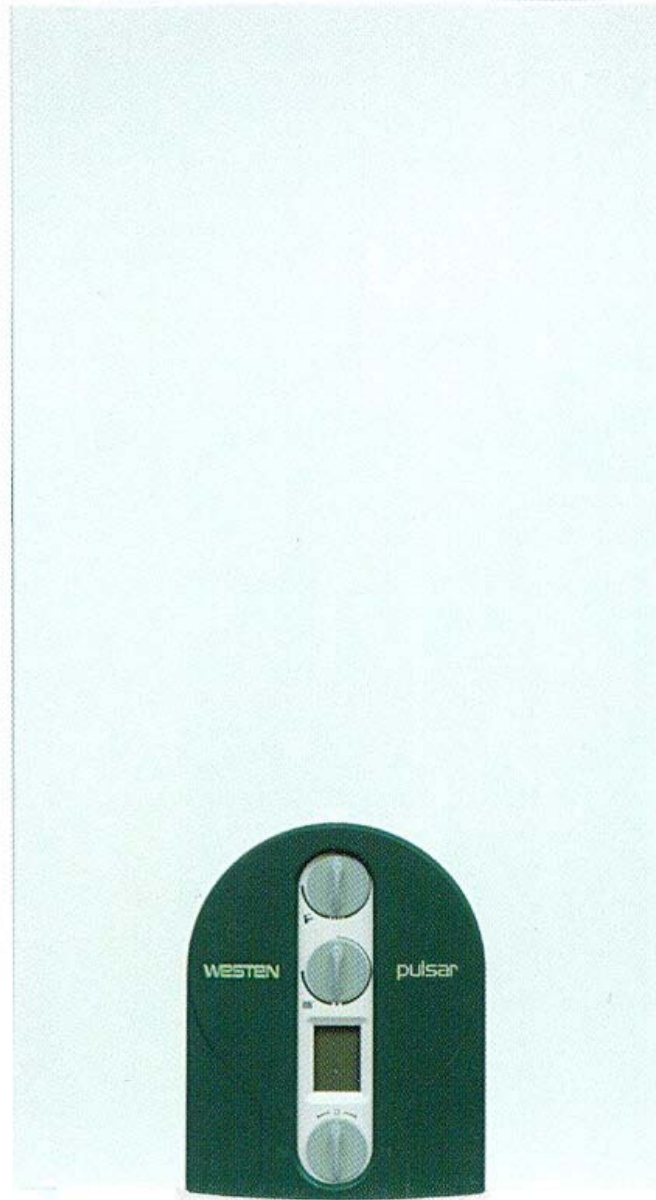


# WESTEN

The smart choice for your home comfort



## SPARE PARTS CATALOGUE

- June 2008 -



# HOW TO READ THE SPARE PARTS CATALOGUE

In the spare part catalogue, after the exploded diagrams, there are the components lists of the boilers; this is the meaning of the different columns:

Pos.	Identification number of the component in the exploded diagram of the boiler.
Description	Short description of the component.
Code	BAXI S.p.A. code of the component.
Tab. XX	XX is the exploded diagram number of the boiler taken into consideration.
From serial number	Date (year and week) identifying the beginning of production of a component (taken from the serial number of the boiler). e.g. B005: year 2000 (B identifies the decade 2000-2009; 0 identifies the year) – 5th week. If the box is empty, the component is in use from the beginning of production of the boiler.
To serial number	Date (year and week) identifying the end of production of a component (taken from the serial number of the boiler). e.g. B012: year 2000 (B identifies the decade 2000-2009; 0 identifies the year) – 12th week. If the box is empty, the component is still in use.
Interchangeable	It identifies the interchangeability between the new component and the old one. YES: components are interchangeable. NO: components are not interchangeable.

**BOILERS CONNECTION BOARD - EXPLODED VIEW**  
**TABELLA COLLEGAMENTO CODICE CALDAIA - ESPLOSO**  
**TABLERO UNIÓN CALDERA - EXPLOSIONADO**  
**TABLEAU CONNECTION CODEX CHAUDIERE - VUE ECLATEE**

<b>BOILER CODE</b>	<b>BOILER DESCRIPTION</b>	<b>EXPLODED REF.</b>
<b>CODICE CALDAIA</b>	<b>DESCRIZIONE CALDAIA</b>	<b>RIF. ESPLOSO</b>
<b>CODIGO CALDERA</b>	<b>DESCRIPCION CALDERA</b>	<b>REF. EXPLOSIONADO</b>
<b>CODE CHAUDIÈRE</b>	<b>DESCRIPTION CHAUDIÈRE</b>	<b>RÉF. EXPLOSÉE</b>
CYH441143980	PULSAR 1.140i	Tab 195
CYH441143981	PULSAR 1.140 i	Tab 195
CYH441243980	PULSAR 1.240i	Tab 197
CYH441243981	PULSAR 1.240 i	Tab 197
CYH442243980	PULSAR 240i	Tab 198
CYH442243981	PULSAR 240i	Tab 198
CYH442243982	PULSAR 240i	Tab 198
CYH442243983	PULSAR 240i -WESTEN-	Tab 345
CYH445143980	PULSAR 1.140 Fi	Tab 194
CYH445143981	PULSAR 1.140 Fi	Tab 194
CYH445143982	PULSAR 1.140 Fi	Tab 194
CYH445243980	PULSAR 1.240 Fi	Tab 196
CYH445243981	PULSAR 1.240 Fi	Tab 196
CYH445243982	PULSAR 1.240 Fi	Tab 196
CYH446243980	PULSAR 240 Fi	Tab 201
CYH446243981	PULSAR 240 Fi	Tab 201
CYH446243982	PULSAR 240 Fi	Tab 201
CYH446243983	PULSAR 240 Fi	Tab 201
CYH446243984	PULSAR 240Fi -WESTEN-	Tab 347

Pos	Code	Description	CYH441143980 PULSAR 1.140 f	CYH441143981 PULSAR 1.240 f	CYH441243980 PULSAR 1.240 f	CYH441243981 PULSAR 1.240 f	CYH442243980 PULSAR 240 f	CYH442243981 PULSAR 240 f	CYH442243982 PULSAR 240 f	CYH445143980 PULSAR 1.140 f	CYH445143981 PULSAR 1.140 f	CYH445143982 PULSAR 1.140 f	CYH445243980 PULSAR 1.240 f	CYH445243981 PULSAR 1.240 f	CYH445243982 PULSAR 1.240 f	CYH446243980 PULSAR 240 f	CYH446243981 PULSAR 240 f	CYH446243982 PULSAR 240 f	To serial number	From serial number	Intercha ngeable:	
2	5663680	LEFT PANEL ASSEMBLY																		B524		NO
2	5668310	LEFT PANEL ASSEMBLY	•	•	•	•	•	•	•											B524		NO
2	5677560	LEFT PANEL ASS. CUBE																				
2	5677560	LEFT PANEL ASS. CUBE	•	•	•	•	•	•	•												B525	
2	5677580	LEFT PANEL ASS. CUBE FF																				
2	5677580	LEFT PANEL ASS. CUBE FF																			B525	
3	5663670	RIGHT PANEL ASSEMBLY																		B524		NO
3	5668300	RIGHT PANEL ASSEMBLY	•	•	•	•	•	•	•											B524		NO
3	5677550	RIGHT PANEL ASS. CUBE																				
3	5677550	RIGHT PANEL ASS. CUBE	•	•	•	•	•	•	•												B525	
3	5677570	RIGHT PANEL ASS. CUBE FF																				
3	5677570	RIGHT PANEL ASS. CUBE FF																			B525	
4	5115470	FRONTAL PANEL ECO3	•	•	•	•	•	•	•	•	•	•	•	•	•	•	•	•	•	B524		NO
4	5115620	FRONTAL PANEL ECO3																				
4	5115620	FRONTAL PANEL ECO3	•	•	•	•	•	•	•	•	•	•	•	•	•	•	•	•	•		B525	
5	5113790	FRONTAL TRAVERSE	•	•	•	•	•	•	•	•	•	•	•	•	•	•	•	•	•			
8	5408080	PRESSURE SWITCH PIPE L=270																				
9	5108700	RESTRICTOR-AIR INTAKE																				
9	5115170	RESTRICTOR-AIR INTAKE D.80																				
9	5116550	FLUE REDUCTION D.82 mm																				
10	5409450	FLUE GASKET																				
12	5108690	PLATE BLANKING																				
13	5407400	SUCTION CAP GASKET																				
15	5664050	JOINT ASSEMBLY D.100 L=20																				
18	5407050	PRESSURE SENSING VENTURI																				
18	5409580	PRESSURE SENSING VENTURI 80E																				
21	5402050	WASHER-SEALING	•	•	•	•	•	•	•	•	•	•	•	•	•	•	•	•	•			
22	5663810	FAN 1 SPEED																				
22	5682150	FAN																				

Pos	Code	Description code	CYH446243984 PULSAR 240 Ft	CYH446243983 PULSAR 240 Ft	CYH446243982 PULSAR 240 Ft	CYH446243981 PULSAR 240 Ft	CYH446243980 PULSAR 240 Ft	CYH445243982 PULSAR 1.240 Ft	CYH445243981 PULSAR 1.240 Ft	CYH445243980 PULSAR 1.240 Ft	CYH445143982 PULSAR 1.140 Ft	CYH445143981 PULSAR 1.140 Ft	CYH445143980 PULSAR 1.140 Ft	CYH442243983 PULSAR 240 Ft	CYH442243982 PULSAR 240 Ft	CYH442243981 PULSAR 240 Ft	CYH442243980 PULSAR 240 Ft	CYH441243981 PULSAR 1.240 Ft	CYH441243980 PULSAR 1.240 Ft	CYH441143981 PULSAR 1.140 Ft	CYH441143980 PULSAR 1.140 Ft	
23	5640000	PRESSURE SWITCH																				
23	5663820	PRESSURE SWITCH 80																				
24	5407930	PIPE - VALVE COMPENSATION																				
25	5113810	CONVEYOR ASSEMBLY																				
27	5676830	COMBUSTION CHAMBER ASSEMBLY																				
27	5677210	COMBUSTION CHAMBER ASSEMBLY																				
27	5677940	COMBUSTION CHAMBER ASS. 14KW																				
27	5678490	COMBUSTION CHAMBER 14 KW FF																				
27	5685460	COMB.CHAMBER ASS. ECO3 14KW FF																				
28	5213210	INSULATING PANEL																				
28	5213220	INSULATING PANEL																				
29	5213280	INSULATING PANEL																				
30	5213370	INSULATING PANEL																				
30	5213380	FRONTAL INSULATING PANEL																				
31	5113820	COMB. CHAMBER FRONT PANEL																				
31	5114290	COMB. CHAMBER FRONTAL PANEL																				
32	5677660	PRIMARY EXCHANGER WITH CLIPS																				
32	5692530	HEATING EXCHANGER ASS.24KW GIA																				
33	5403130	O-RING 22 x 3																				
34	5113650	PRIMARY EXCHANGER FIXING CLIP																				
35	5663880	EXPANSION VESSEL																				
35	5668370	EXPANSION VESSEL 7 L																				
37	5663830	SEALED CHAMBER FRONT PANEL																				
38	5401610	VIEWING WINDOW GASKET																				
39	5203930	VIEWING WINDOW																				
40	5103360	SURROUND - VIEWING WINDOW																				
41	5663710	BURNER ASSEMBLY (13 ELEM.)																				
41	5665980	BURNER ASSEMBLY PERFORMA 12e																				

To serial number  
From serial number  
Interchangeable:

Pos	Code	Description code	CYH446243984 PULSAR 240 Ft	CYH446243983 PULSAR 240 Ft	CYH446243982 PULSAR 240 Ft	CYH446243981 PULSAR 240 Ft	CYH446243980 PULSAR 240 Ft	CYH445243982 PULSAR 1.240 Ft	CYH445243981 PULSAR 1.240 Ft	CYH445243980 PULSAR 1.240 Ft	CYH445143982 PULSAR 1.140 Ft	CYH445143981 PULSAR 1.140 Ft	CYH445143980 PULSAR 1.140 Ft	CYH442243983 PULSAR 240 Ft	CYH442243982 PULSAR 240 Ft	CYH442243981 PULSAR 240 Ft	CYH442243980 PULSAR 240 Ft	CYH441243981 PULSAR 1.240 Ft	CYH441243980 PULSAR 1.240 Ft	CYH441143981 PULSAR 1.140 Ft	CYH441143980 PULSAR 1.140 Ft	
43	612960	GAS RAMP WITH INJECTORS (N.G.)	•	•	•	•	•	•	•	•	•	•	•									
43	615260	GAS RAMP WITH INJECTORS																	•	•		
43	619610	RAMP GAS ASS. 10 HOLE D1.18	•	•																		
44	5666400	NATURAL GAS INJECTORS KIT																				
44	5669460	NATURAL GAS INJECTORS KIT	•	•	•	•	•	•	•	•	•	•	•									
44	5680020	TRANSFORMATION KIT G31	•	•	•	•	•	•	•	•	•	•	•									
45	5407940	GASKET-BURNER MANIFOLD	•	•	•	•	•	•	•	•	•	•	•									
46	607990	ASSEMBLY-GAS CONNECTION/GASKET	•	•	•	•	•	•	•	•	•	•	•									
47	5404760	GASKET-GAS RAMP/SEALED CHAMB.																				
49	5409520	HOSE ADAPTER CAP																				
59	8419050	LEAD - IGNITION ELECTRODE	•	•	•	•	•	•	•	•	•	•	•									
61	5407830	INSULATION BOOT - ELECTRODE	•	•	•	•	•	•	•	•	•	•	•									
62	5409570	SEALED CHAMBER HOSE ADAPTER																				
63	8422570	ELECTRODE - IGNITION																				
63	8422570	ELECTRODE - IGNITION	•	•																		
65	8423300	IONIZATION ELECTRODE																				
65	8423300	IONIZATION ELECTRODE	•	•																		
70	5676860	PIPE ASS.(PUMP/EXCHANGER)ECO3																				
70	5677270	PIPE ASS. (PUMP/EXCHANGER)	•	•	•	•	•	•	•	•	•	•	•									
72	5661200	PUMP UP 15-50/CONNECTOR	•	•	•	•	•	•	•	•	•	•	•									
73	607290	AUTOMATIC AIR VENT	•	•	•	•	•	•	•	•	•	•	•									
74	5406360	O-RING 14X1,78 EP	•	•	•	•	•	•	•	•	•	•	•									
76	5653650	DHW PLATE EXCHANGER																				
76	5686660	DHW PLATE EXCHANGER 10 PLATES																				
76	5686660	DHW PLATE EXCHANGER 10 PLATES																				
77	5404520	DHW PLATE EXCHANGER GASKET																				
80	5655650	HYDRAULIC INLET ASSY	•	•	•	•																
80	5676890	HYDRAULIC INLET GROUP																				

To serial number From serial number Interchangeable:

B637

B638

YES

B649

B650

YES





Pos	Code	Description code	CYH446243984 PULSAR 240 Fi	CYH446243983 PULSAR 240 Fi	CYH446243982 PULSAR 240 Fi	CYH446243981 PULSAR 240 Fi	CYH446243980 PULSAR 240 Fi	CYH445243982 PULSAR 1.240 Fi	CYH445243981 PULSAR 1.240 Fi	CYH445243980 PULSAR 1.240 Fi	CYH445143982 PULSAR 1.140 Fi	CYH445143981 PULSAR 1.140 Fi	CYH445143980 PULSAR 1.140 Fi	CYH442243983 PULSAR 240 i	CYH442243982 PULSAR 240 i	CYH442243981 PULSAR 240 i	CYH442243980 PULSAR 240 i	CYH441243981 PULSAR 1.240 i	CYH441243980 PULSAR 1.240 i	CYH441143981 PULSAR 1.140 i	CYH441143980 PULSAR 1.140 i	To serial number	From serial number	Intercha ngeable:	
140	5658830	GAS VALVE - SIGMA	•	•	•	•	•	•	•	•	•	•	•	•	•	•	•	•	•	•	•				
140	5665220	GAS VALVE HON.	•	•	•	•	•	•	•	•	•	•	•	•	•	•	•	•	•	•	•				
147	5676130	CONNECTION TRAVERSE	•	•	•	•	•	•	•	•	•	•	•	•	•	•	•	•	•	•	•				
151	5409550	ELECTRIC BOX REAR COVER	•	•	•	•	•	•	•	•	•	•	•	•	•	•	•	•	•	•	•				
152	5677530	PRINTED CONTROL PANEL PULSAR	•	•	•	•	•	•	•	•	•	•	•	•	•	•	•	•	•	•	•				
154	5676960	PCB (BERTELLI)	•	•	•	•	•	•	•	•	•	•	•	•	•	•	•	•	•	•	•				
162	5677540	PANEL PLATE PULSAR 240 Fi																				•	•	•	
162	5677690	PANEL PLATE PULSAR 240 i												•	•	•	•								
162	5677820	PANEL PLATE 1.240 Fi																					•	•	
162	5677830	PANEL PLATE PULSAR 1.240 i																				•	•		
162	5678650	PANEL PLATE 1.140 Fi																							
162	5678660	PANEL PLATE PULSAR 1.140i	•	•																					
166	8421590	TERMINAL BLOCK	•	•	•	•	•	•	•	•	•	•	•	•	•	•	•	•	•	•	•				
167	5405340	FUSE HOLDER	•	•	•	•	•	•	•	•	•	•	•	•	•	•	•	•	•	•	•				
168	9950580	FUSE	•	•	•	•	•	•	•	•	•	•	•	•	•	•	•	•	•	•	•				
169	9951330	MANOMETER D.40	•	•	•	•	•	•	•	•	•	•	•	•	•	•	•	•	•	•	•		B733		
169	9951650	MANOMETER D.40																					•		
169	9951650	MANOMETER D.40	•	•	•	•	•	•	•	•	•	•	•	•	•	•	•	•	•	•	•			B734	YES
174	5409750	CONTROL PANEL KNOB-WESTEN	•	•	•	•	•	•	•	•	•	•	•	•	•	•	•	•	•	•	•				
192	5404650	SEALING WASHER G 3/4	•	•	•	•	•	•	•	•	•	•	•	•	•	•	•	•	•	•	•				
231	5409480	FLUE INTAKE												•	•	•	•	•	•	•	•				
241	5668420	CONVEYOR ASSEMBLY																							
241	5678060	FLUE CHAMBER ASSEMBLY 14KW	•	•																					
242	606930	FLUE SAFETY THERMOSTAT 60C	•	•																					
242	616160	FLUE SAFETY THERMOSTAT 70ø																							
280	5207730	GASKET 14,2X18X1,5																					•	•	•
290	5665230	MODULATION COIL ASSY	•	•	•	•	•	•	•	•	•	•	•	•	•	•	•	•	•	•	•				
314	8418870	LEAD - SENSING ELECTRODE	•	•	•	•	•	•	•	•	•	•	•	•	•	•	•	•	•	•	•				

Pos	Code	Description code	CYH446243984 PULSAR 240 Ft	CYH446243983 PULSAR 240 Ft	CYH446243982 PULSAR 240 Ft	CYH446243981 PULSAR 240 Ft	CYH446243980 PULSAR 240 Ft	CYH445243982 PULSAR 1.240 Ft	CYH445243981 PULSAR 1.240 Ft	CYH445243980 PULSAR 1.240 Ft	CYH445143982 PULSAR 1.140 Ft	CYH445143981 PULSAR 1.140 Ft	CYH445143980 PULSAR 1.140 Ft	CYH442243983 PULSAR 240 Ft	CYH442243982 PULSAR 240 Ft	CYH442243981 PULSAR 240 Ft	CYH442243980 PULSAR 240 Ft	CYH441243981 PULSAR 1.240 Ft	CYH441243980 PULSAR 1.240 Ft	CYH441143981 PULSAR 1.140 Ft	CYH441143980 PULSAR 1.140 Ft	
336	8380680	CLIP-RETAINING																				
337	5647340	MOTOR-3 WAY VALVE																				
337	5694580	3 WAY VALVE MOTOR																				
340	5663750	PRESSURE SWITCH																				
340	9951690	PRESSURE SWITCH																				
340	9951690	PRESSURE SWITCH																				
421	5408270	O-RING 11,91 X 2,62 NBR																				
423	5210410	GAS VALVE CONNECTOR																				
493	612130	FILLING KNOB ASSEMBLY																				
496	400020	O-RING																				
498	400030	O-RING																				
510	600760	DHW PADDLE ASSEMBLY																				
511	5404600	O.R. 17,86x2,62																				
525	8511790	ANSTOSS CONNECTOR L=400mm																				
525	8511800	SAC CONNECTOR L=400mm																				
528	8435360	NTC SENSOR (ITS)																				
624	8435280	SENSOR HALL EFFECT																				
683	5408810	GASKET(GAS RAMP/SEALED CHAMBER																				
692	5114360	PRIMARY EXCHANGER CLIPS																				
693	5114350	PRINTED CNTR. PANEL PROTECTION																				
999	8414620	POWER CABLE																				
999	8418860	PLUG - PCB																				
999	8419080	CABLE - EARTH																				
999	8511770	POWER SUPPLY WIRING ECO3																				
999	8511780	LOW VOLTAGE COMP. WIRING ECO3																				
999	8511810	3 WAY VALVE WIRING ECO3																				
999	8511820	PUMP/FUN WIRING ECO3																				
999	8511830	WIRING ECO																				

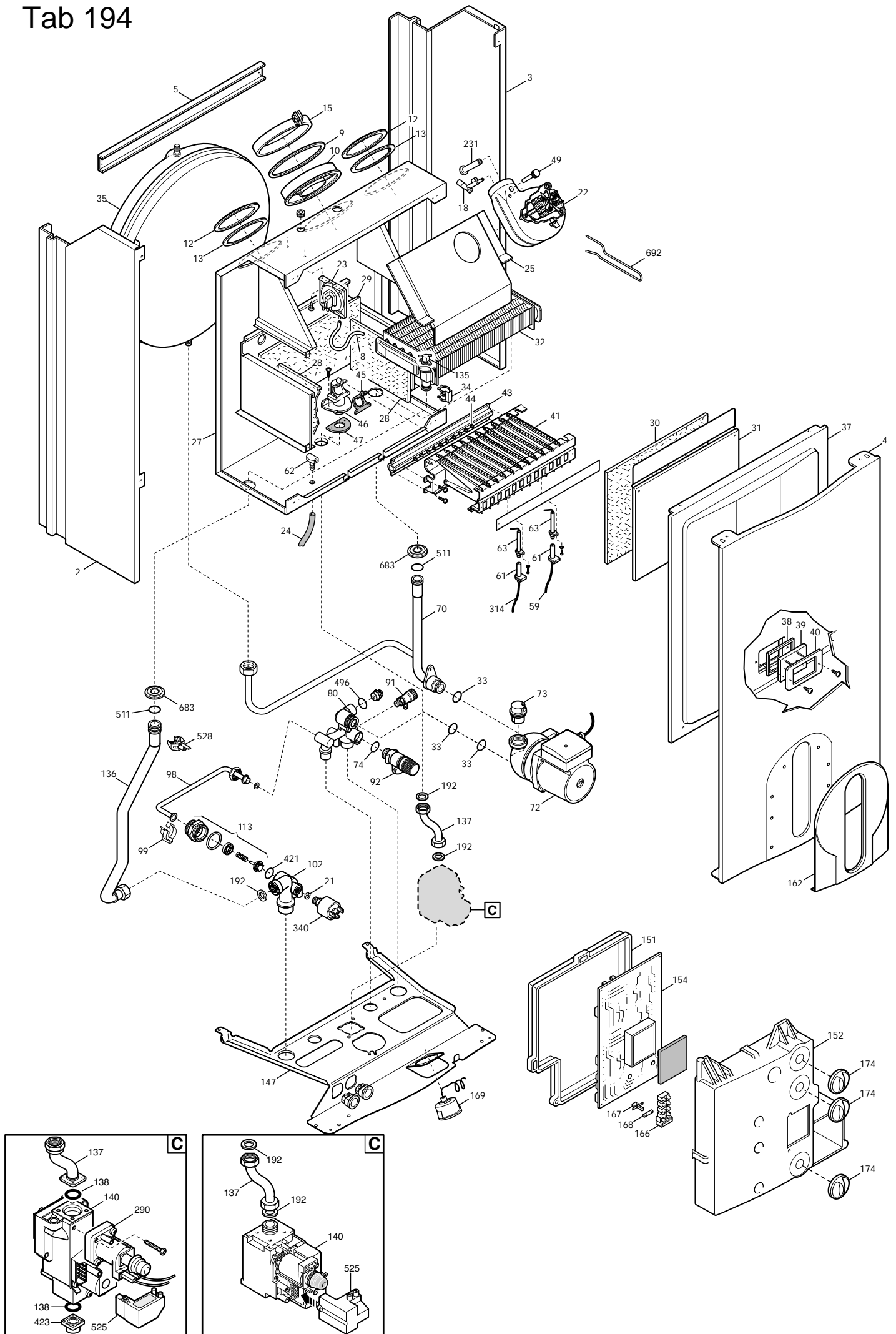
To serial number	From serial number	Interchangeable:
B714		
	B715	YES

# PULSAR

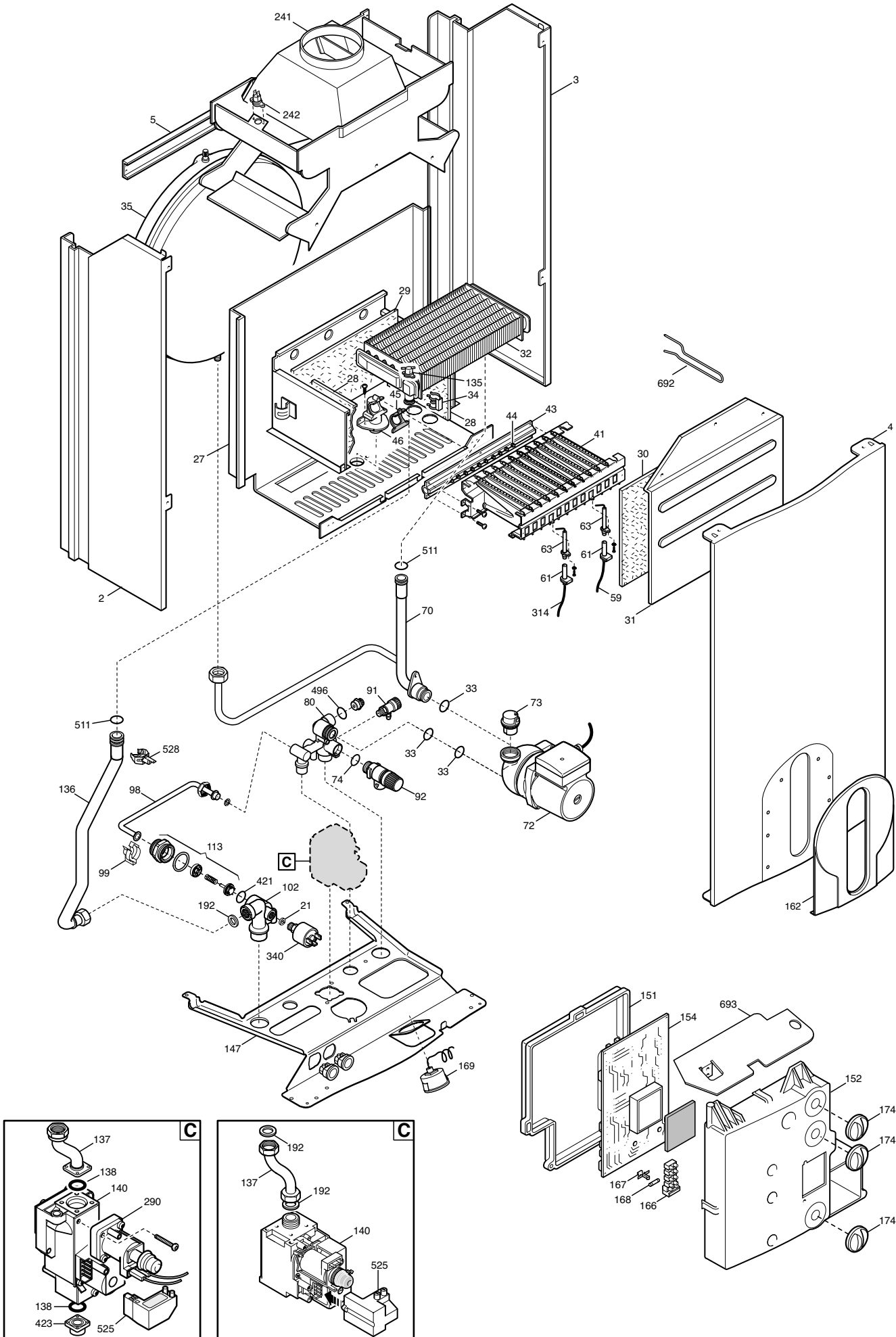
13/06/2008

Pos	Code	Description code	CYH441243980 PULSAR 1.140 F1	CYH441143981 PULSAR 1.140 F1	CYH441243980 PULSAR 1.240 F1	CYH441243981 PULSAR 1.240 F1	CYH442243980 PULSAR 240 F1	CYH442243983 PULSAR 240 F1	CYH442243982 PULSAR 240 F1	CYH445143981 PULSAR 1.140 F1	CYH445143981 PULSAR 1.140 F1	CYH445243980 PULSAR 1.240 F1	CYH445243981 PULSAR 1.240 F1	CYH446243980 PULSAR 240 F1	CYH446243981 PULSAR 240 F1	CYH446243982 PULSAR 240 F1	CYH446243983 PULSAR 240 F1	CYH446243984 PULSAR 240 F1	To serial number	From serial number	Intercha ngeable:
999	8511840	NTC HEAT.SENSOR/AIR PRESS.SW..	•	•	•	•	•	•	•	•	•	•	•	•	•	•	•	•			
999	8511850	LOW VOLTAGE COMP. WIRING ECO3	•	•	•	•	•	•	•	•	•	•	•	•	•	•	•	•			
999	8511880	POWER SUPPLY WIRING ECO3 ATM	•	•	•	•	•	•	•	•	•	•	•	•	•	•	•	•			
999	8511910	LOW VOLTAGE COMP. WIRING ECO3	•	•	•	•	•	•	•	•	•	•	•	•	•	•	•	•			
999	8511920	MODULATOR WIRING	•	•	•	•	•	•	•	•	•	•	•	•	•	•	•	•			
999	8511930	NTC HET. SENSOR/LIMIT THER.WIR	•	•	•	•	•	•	•	•	•	•	•	•	•	•	•	•			
999	8511940	LOW VOLTAGE COMP. WIRING ECO3	•	•	•	•	•	•	•	•	•	•	•	•	•	•	•	•			
999	8511950	WIRING ECO	•	•	•	•	•	•	•	•	•	•	•	•	•	•	•	•			
999	8511960	NTC HEAT. SENSOR/AIR PRESS SWI	•	•	•	•	•	•	•	•	•	•	•	•	•	•	•	•			
999	8512140	CABLE V3V	•	•	•	•	•	•	•	•	•	•	•	•	•	•	•	•			

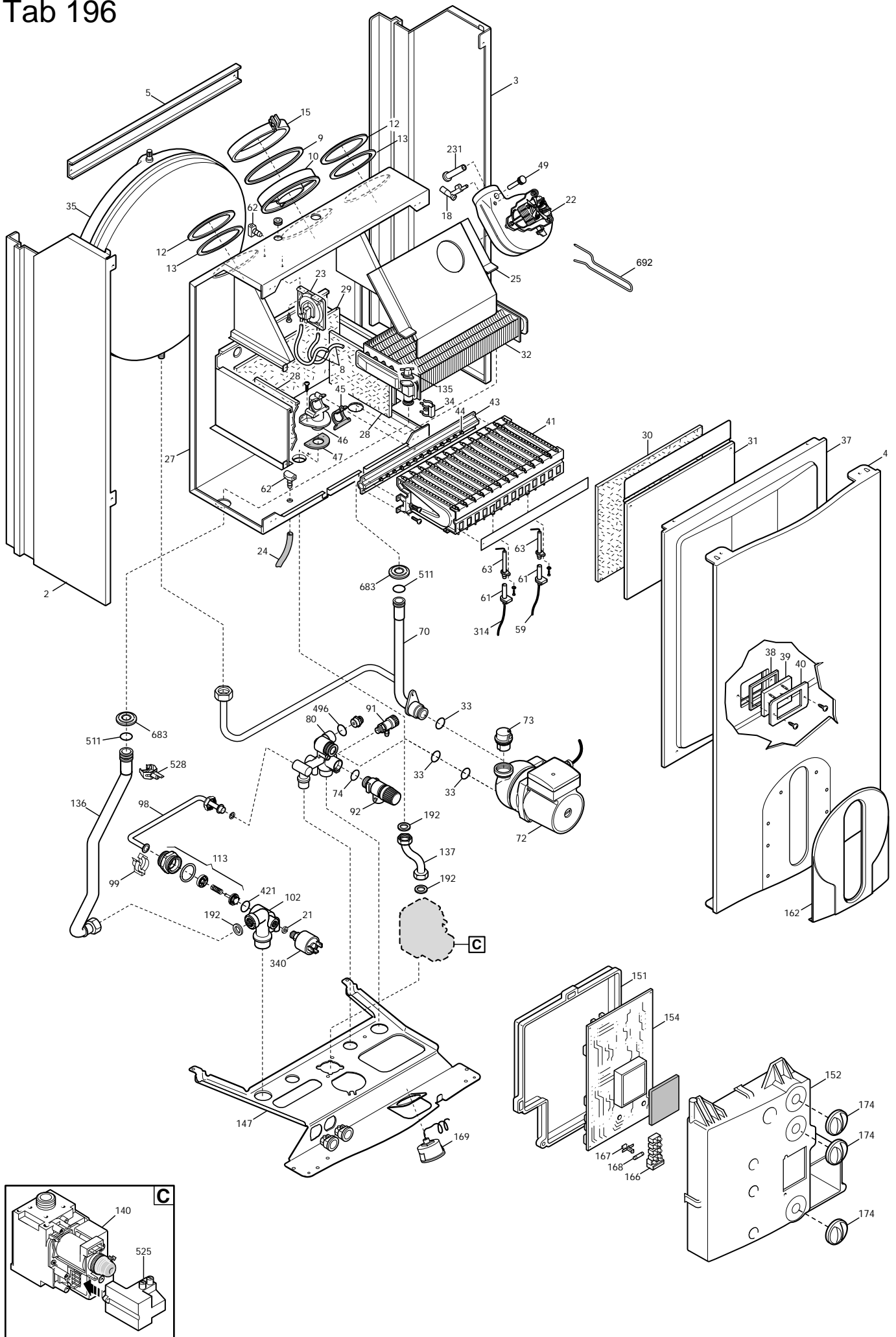
# Tab 194

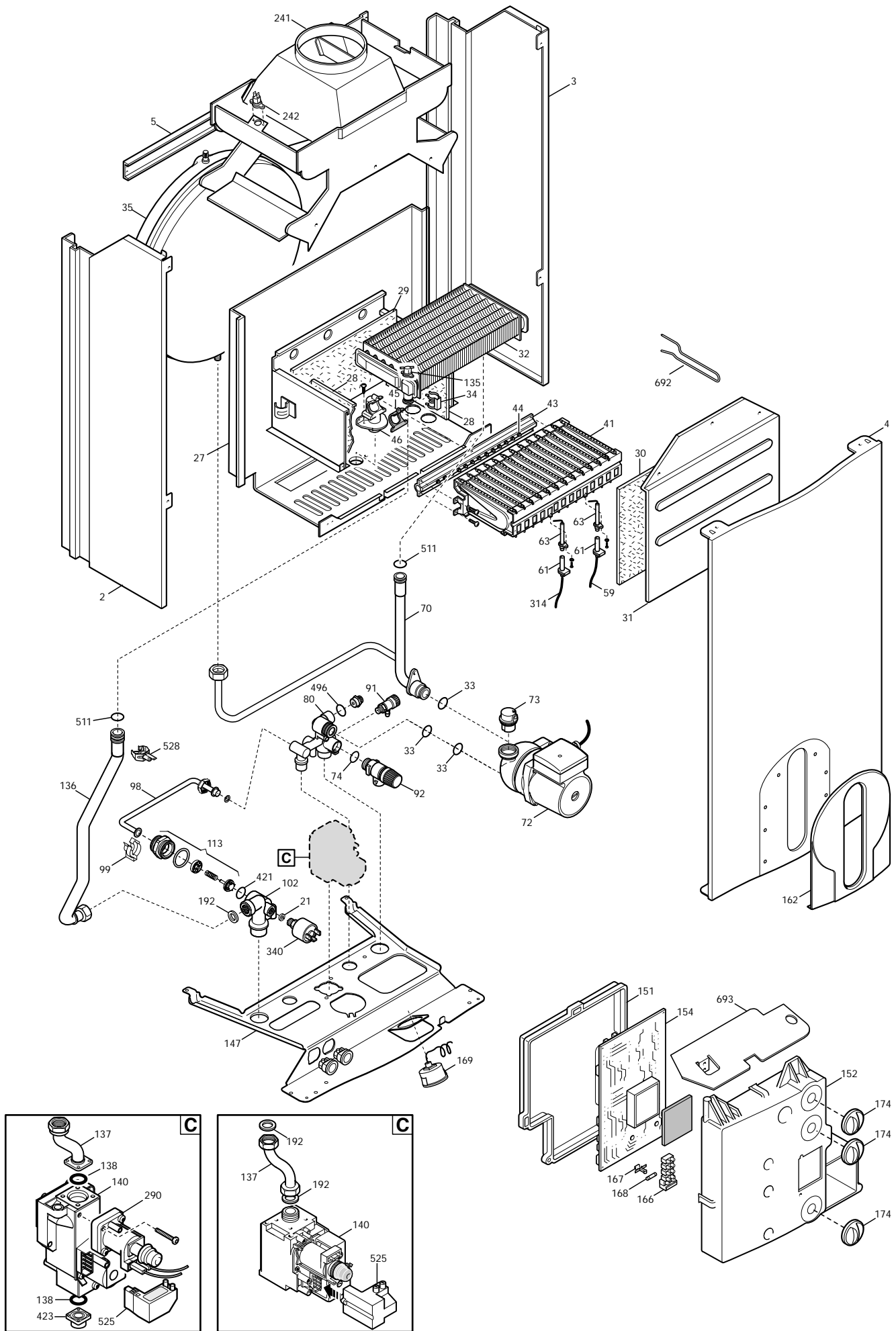


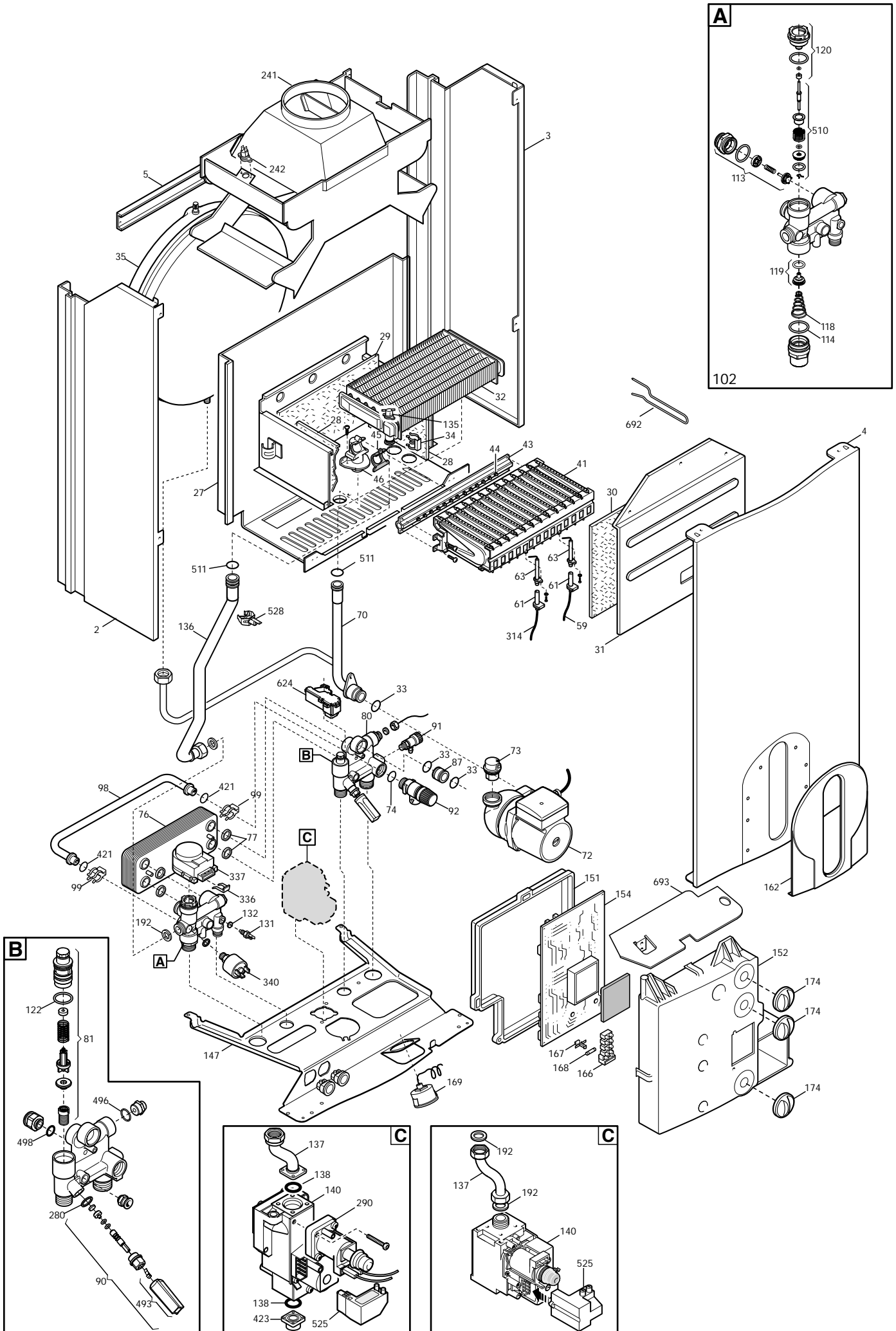
Tab 195



# Tab 196

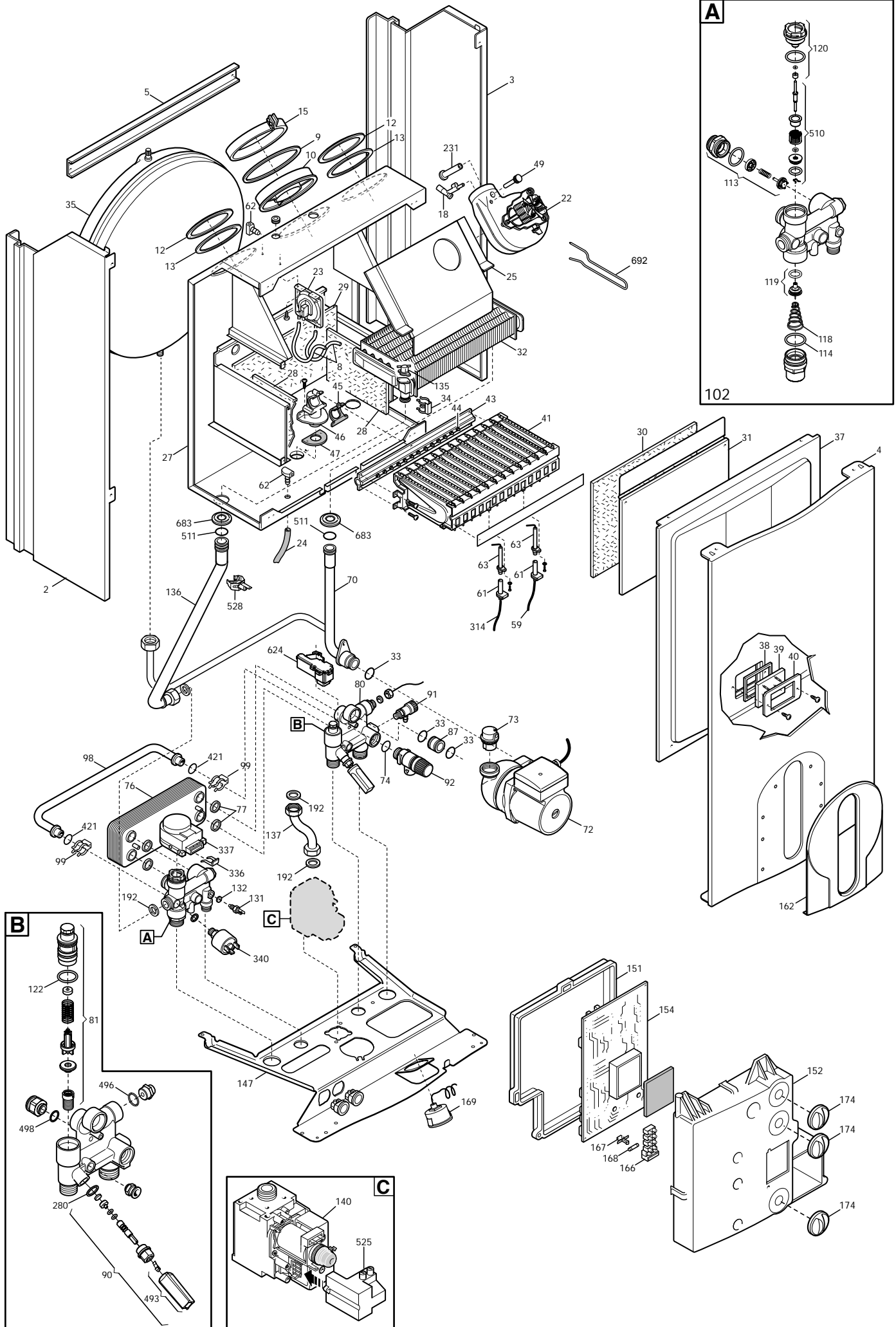




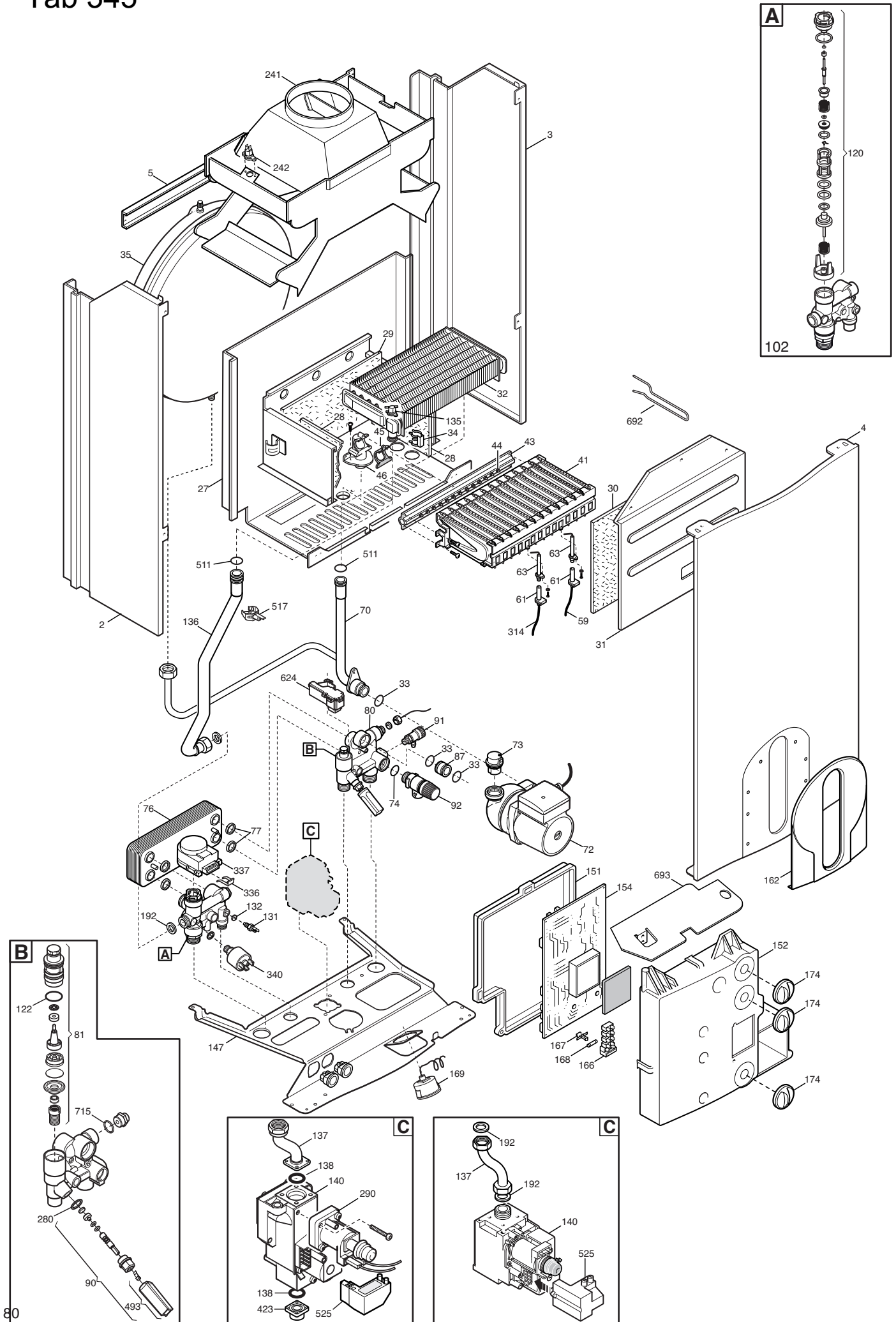




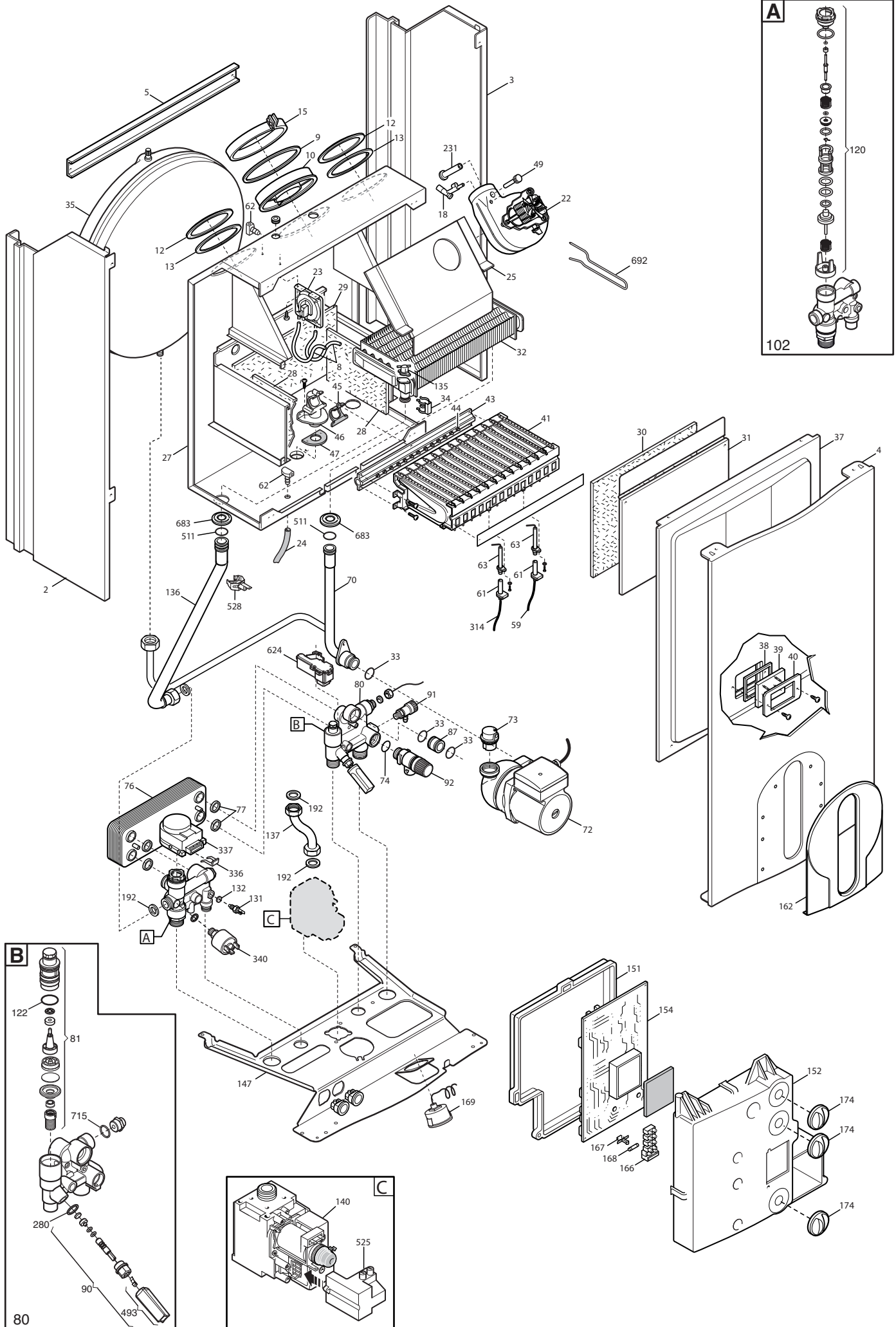
# Tab 201



# Tab 345



# Tab 347



**WESTEN**

**BAXI S.p.A.**  
**Via Trozzetti, 20**  
**36061 BASSANO DEL GRAPPA (VI) ITALY**  
**Tel. +390424517111 Telefax +390424517379**  
**Web site: [www.baxi.it](http://www.baxi.it) e-mail: [service@baxi.it](mailto:service@baxi.it)**